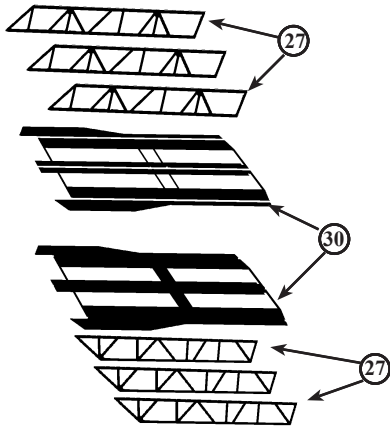
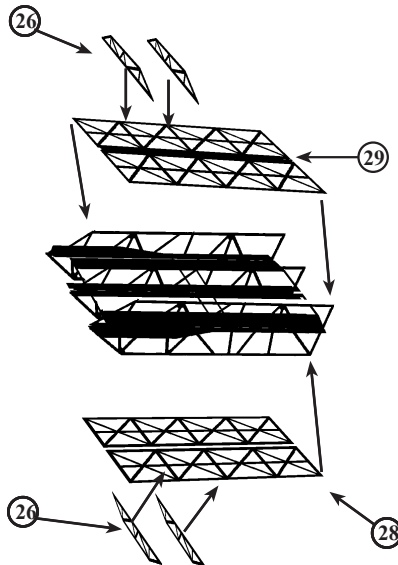




## Sea Slug Missile Launcher Assembly



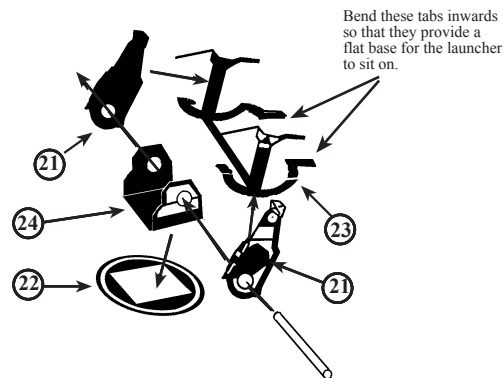
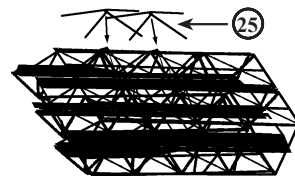
To assemble missile launcher, first take the two centre plates, etched parts 30 & fit the upper & lower vertical supports, etched parts 27 into the relief-etched grooves. When this is done join the two centre plates together to form the missile guide rail section.



Next take the rectangular crossbraces, etched parts 28 & 29, & fit flat across the upper & lower vertical supports 27, as shown.

**NOTE:** The lower crossbracing is slightly shorter than the upper. Fit the angular crossbeams, etched parts 26, as shown to the 2nd & 3rd crossbar on the upper face, & the first & 2nd crossbar on the lower face.

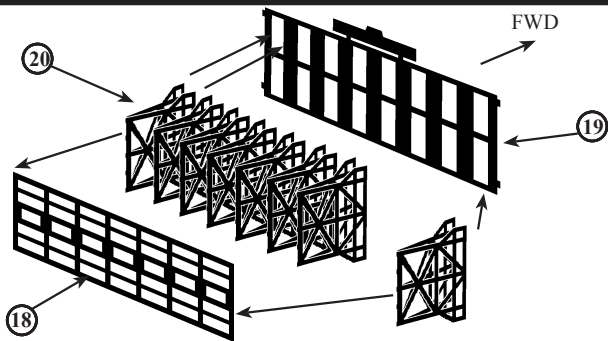
Fit the four point braces, etched parts 25, to the corners of the angular cross beams, then attach the ends of the legs to the points directly below them. There are four of these on the top & two on the bottom.



Bend these tabs inwards so that they provide a flat base for the launcher to sit on.

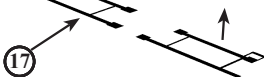
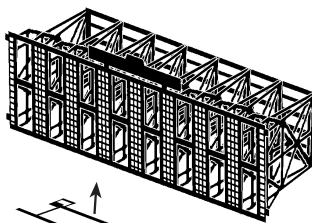
Assemble launcher mounting as shown, using a piece of 1mm plastic rod to pass through the holes provided.

## 965 Radar Antenna Assembly

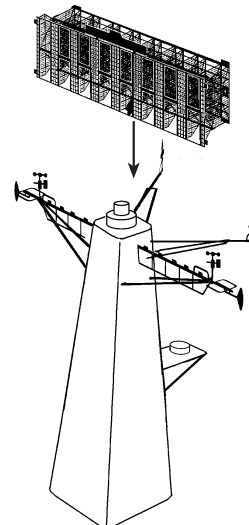


To assemble the 965 Antenna, first fit the inner frames, etched parts 20, to the vertical bars on the front face, etched part 19, as shown above. Each of the inner frames folds vertically down the centre line to form a V-shaped part, with the front verticals fitting on each side of the openings on the front face.

Fit the rear face plate, etched part 18, to the rear of the assembly, fitting the vertical bars onto the rear vertical bars on the point of the 'V' of the inner frames. Fit the counter frames 17 to the underside of the antenna. Fit the assembled radar antenna to the mounting peg on the top of the mainmast, kit parts 27 & 28. This directly replaces kit part 32.

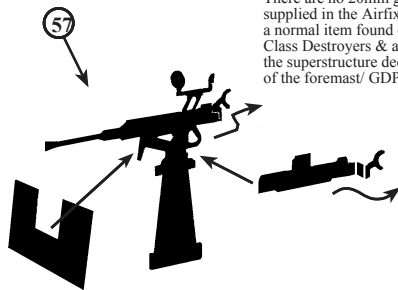


If the Double Bedstead version of the 965 antenna is being made, do not separate the upper & lower sections of etched parts 18 & 19, as they are spaced correctly with tie bars. Assemble the double array in the same way as for the single.



Fit the central locating plates onto the locating peg on top of the mainmast as shown above.

## 20mm Oerlikon Mount



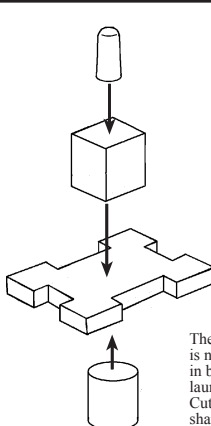
There are no 20mm gun mounts supplied in the Airfix kit. These are a normal item found on all the County-Class Destroyers & are located on the superstructure deck on each side of the foremast/ GDP housing.

Fold the shoulder rests on each part of the gun body so that they are set apart when the gun body doubler is fitted. Fit the doubler plate to the gun body so that the long part fits over the gun body, making it double thickness.

Fit the gun shield centrally to the locating lug just below the mid point on the gun.

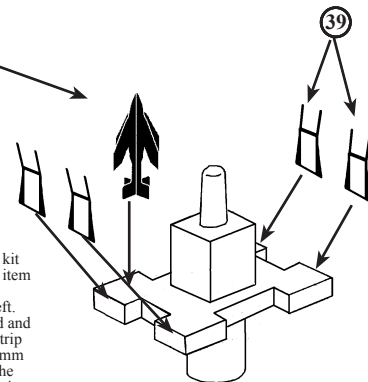
Make two to fit as indicated above

## Sea Cat Missile Launcher



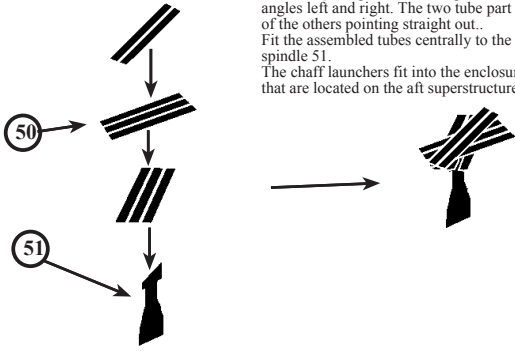
Assemble the Sea Cat missiles using etched parts 64 as shown left. These can be fitted to the launcher as desired. Fit the side rails, etched parts 39, to the short sides of the launcher.

The Sea Cat missile launcher supplied in the kit is not really very representative of the actual item in both shape & size. We suggest that a new launcher is made from plasticard as shown left. Cut a rectangle 4.5mm x 3.5mm of plasticard and shape as shown left. Cut a square of plastic strip 2mm x 2mm & fit to the top surface. Cut a 2mm length of 2mm diameter plastic rod & fit to the underside. Cut a 2.25mm length of 1mm plastic rod or stretched sprue & fit to the top, as shown. Make two of these.



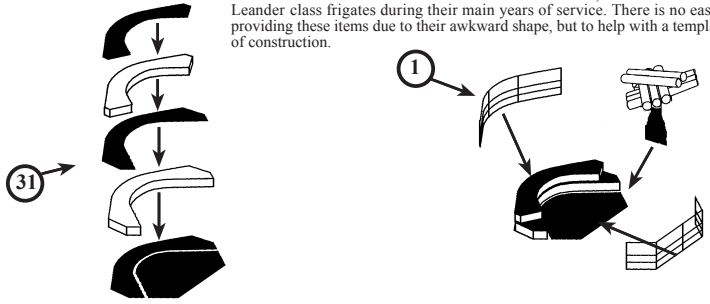
### Corvus Chaff Launcher Assembly

Assemble the corvus chaff launcher, by layering the rocket tubes, etched parts 50 on top of each other, at equal angles left and right. The two tube part is then fitted on top of the others pointing straight out. Fit the assembled tubes centrally to the top of the mounting spindle 51. The chaff launchers fit into the enclosures, etched parts 31, that are located on the aft superstructure.



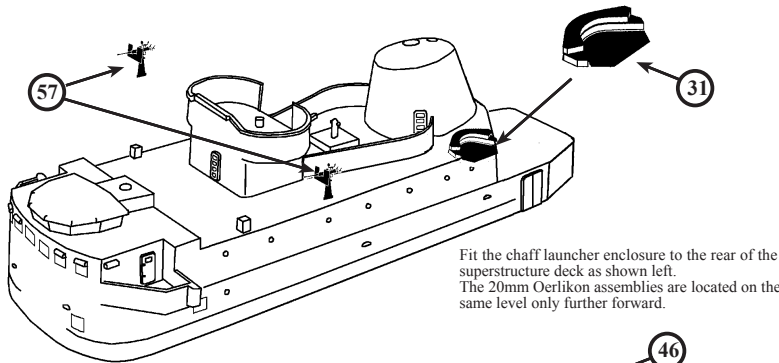
### Corvus Chaff Launcher Enclosure Assembly

The chaff launcher enclosures are not included in the kit, but were fitted to all of the Leander class frigates during their main years of service. There is no easy way of providing these items due to their awkward shape, but to help with a template method of construction.



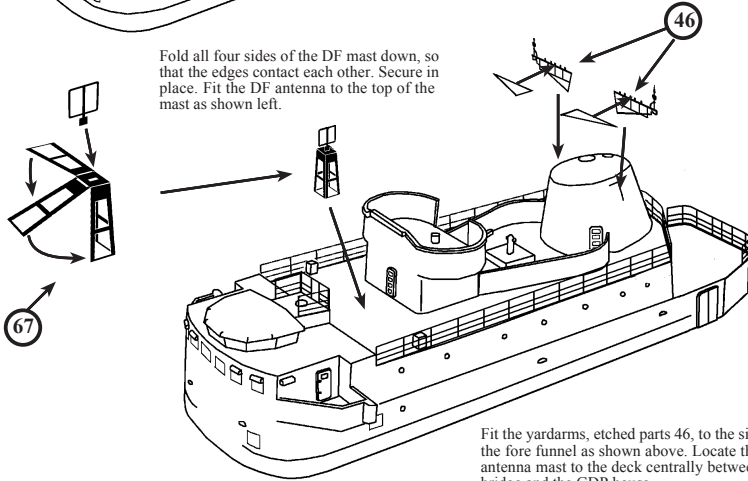
Start with the top level from etched parts 31, laminate the brass top plate to a piece of 20thou thick (0.5mm) plastic card with super glue. Cut the plastic card to the shape of the brass plate. Repeat the process with the second layer which is slightly larger. When the plastic card is shaped into the brass plates, fit the lower layer onto the base plate using the etched line as a locating guide and secure into place. Fit the top layer centrally onto the lower layer, giving a set of steps on each side. Cut and shape the lengths of railing to the edges of the enclosure, from the stock railing supplied. Fit the chaff launcher assembly, centrally onto the base of the enclosure. Make two of these.

### Forward Superstructure Fittings Location



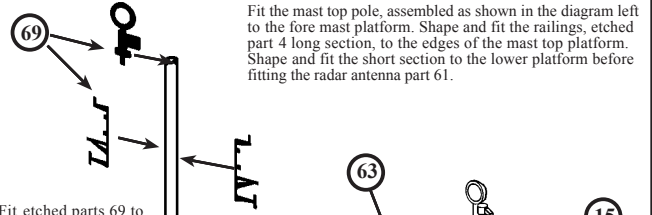
Fit the chaff launcher enclosure to the rear of the superstructure deck as shown left. The 20mm Oerlikon assemblies are located on the same level only further forward.

Fold all four sides of the DF mast down, so that the edges contact each other. Secure in place. Fit the DF antenna to the top of the mast as shown left.



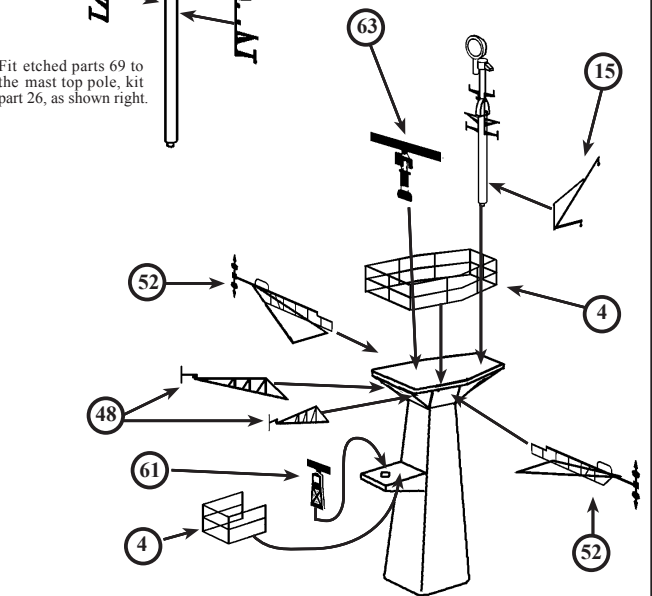
Fit the yardarms, etched parts 46, to the sides of the fore funnel as shown above. Locate the DF antenna mast to the deck centrally between the bridge and the GDP house.

### Fore Mast Details Location



Fit the mast top pole, assembled as shown in the diagram left to the fore mast platform. Shape and fit the railings, etched part 4 long section, to the edges of the mast top platform. Shape and fit the short section to the lower platform before fitting the radar antenna part 61.

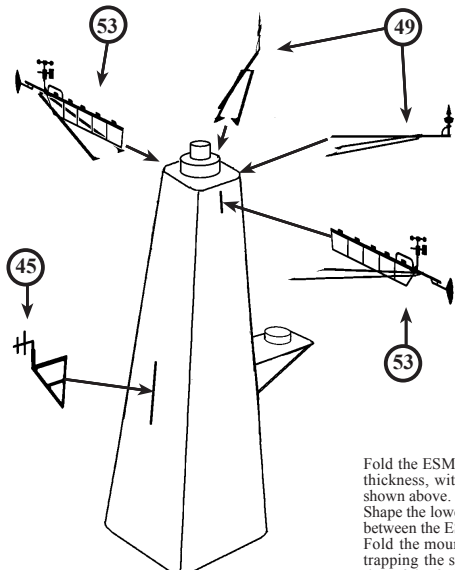
Fit etched parts 69 to the mast top pole, kit part 26, as shown right.



Fold the yardarm stays on etched parts 52, over so that they pass around the inner end of the yardarm to a position as shown in the diagram. These then fit to the underside of the mast top platform as shown. A slot may need to be cut into the angled section of the mast top to allow for a firm fit. Fold the body of the 992 radar antenna in half so that it is double thickness, then fit to the forward part of the mast platform in the place of kit part 25.

### Main Mast Details Location

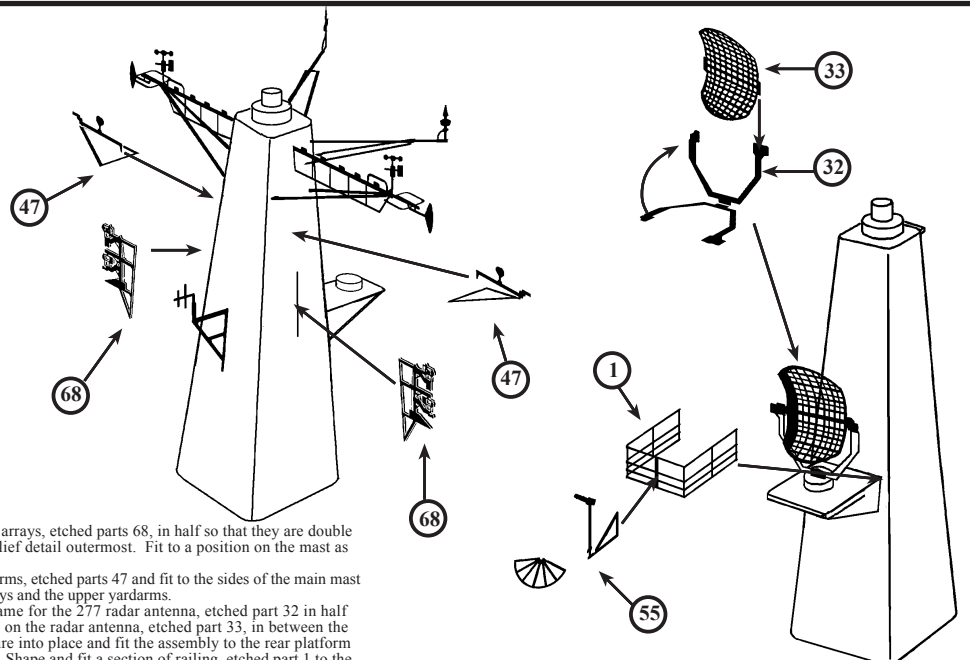
Shape the side yardarms, etched parts 53, in the same way as previously described for those fitted to the fore mast. Shape etched parts 49 as shown below, and fit to the top rear corners of the main mast.



Fold the ESM Sensor arrays, etched parts 68, in half so that they are double thickness, with the relief detail outermost. Fit to a position on the mast as shown above.

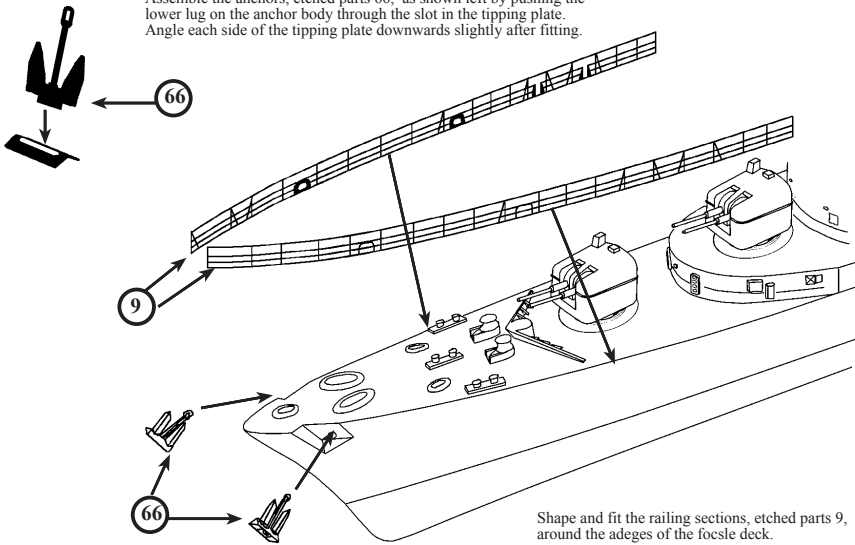
Shape the lower yardarms, etched parts 47 and fit to the sides of the main mast between the ESM arrays and the upper yardarms.

Fold the mounting frame for the 277 radar antenna, etched part 32 in half trapping the side lugs on the radar antenna, etched part 33, in between the tips of the forks. Secure into place and fit the assembly to the rear platform in place of kit part 29. Shape and fit a section of railing, etched part 1 to the edge of the platform.



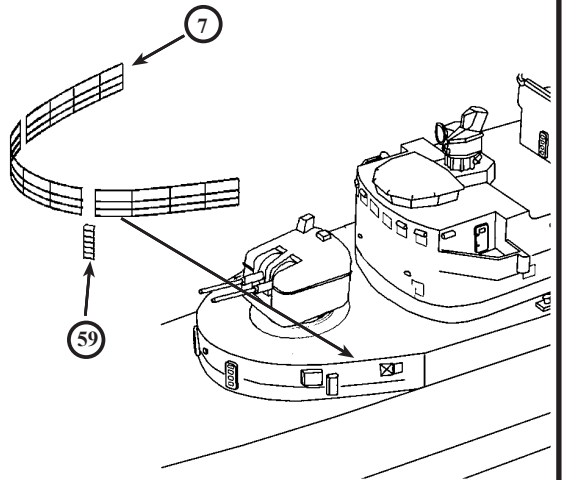
### Fore Deck Railings Location

Assemble the anchors, etched parts 66, as shown left by pushing the lower lug on the anchor body through the slot in the tipping plate. Angle each side of the tipping plate downwards slightly after fitting.



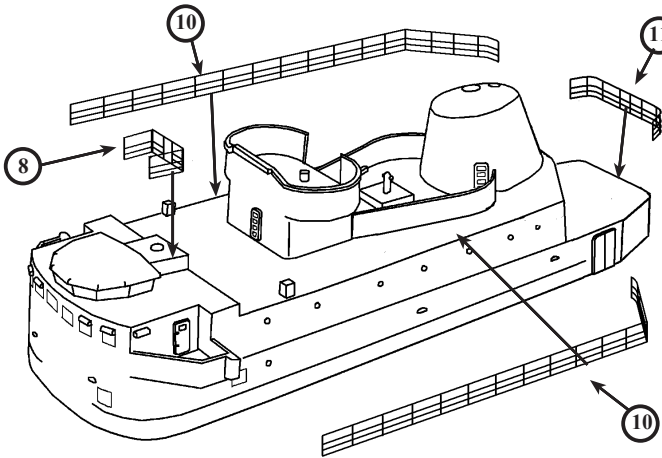
Shape and fit the railing sections, etched parts 9, around the edges of the fuselage deck.

### B Gun Deck Railings Location



Shape and fit the railing sections, etched parts 7, to the forward edges of the step in the deck forward of B gun mounting. Make sure there are two gaps in the railing for vertical ladders, etched part 59, to access.

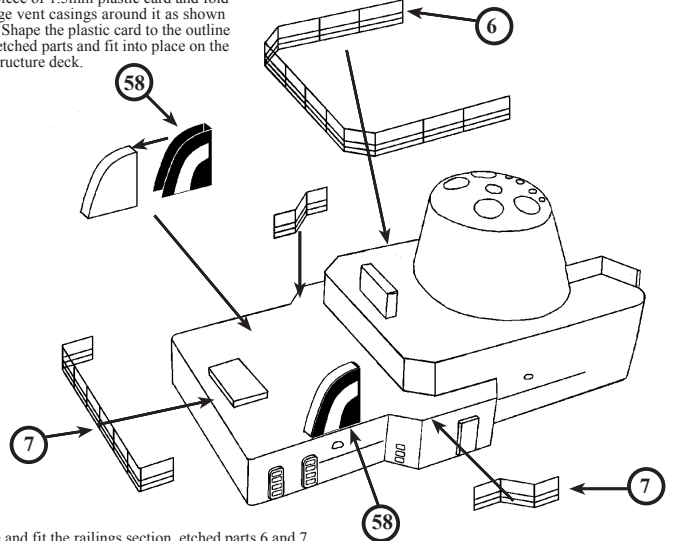
### Forward Superstructure Railings



Shape and fit the railings, etched parts 10, top the side edges of the forward superstructure, with the forward end starting at the small step behind the bridge. If the Corvus chaff launcher enclosures are to be fitted outboard of the funnel, the aft part of the railing will need to be shaped around the edge of the protruding area of the enclosure. A small section of etched part 1, will need to be added to the end of the railing run towards the rear of the funnel to compensate.

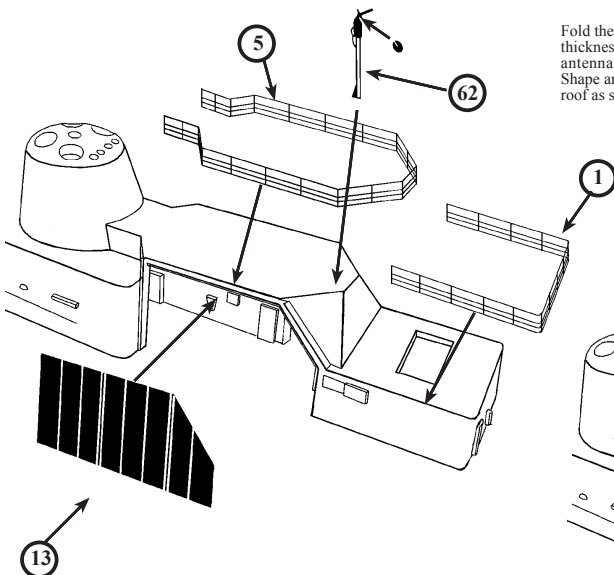
### Large Vent Assembly & Location

Cut a piece of 1.5mm plastic card and fold the large vent casings around it as shown below. Shape the plastic card to the outline of the etched parts and fit into place on the superstructure deck.



Shape and fit the railings section, etched parts 6 and 7, as shown.

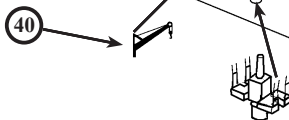
### Aft Superstructure and Hangar Fittings Location



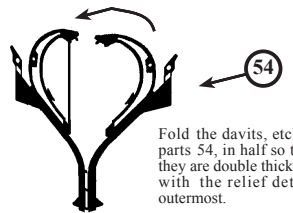
Fold the telemetry antenna pole, etched part 62, in half so that it is double thickness with the relief etched detail outermost. Fit the small dish to the antenna dipole, then fit the assembly to the rear of the hangar roof. Shape and fit the railings section, etched part 5, to the edges of the hangar roof as shown.

Make a crane post from plastic rod or stretched sprue and fit to the deck just forward of the hangar, as shown below. Fit the Sea Cat loading crane to the crane post. Make two of these and fit on opposite sides of the deck. Fit the Sea Cat launcher assemblies to the position shown in the place of kit parts 59 and 60.

Fit the hangar door, etched part 13, into place, after first removing the moulded plastic panel from the aft superstructure. The replacement door may be displayed in the open position by folding the sections of door along the vertical lines in a concertina fashion so that it is flat against the forward vertical pillar.

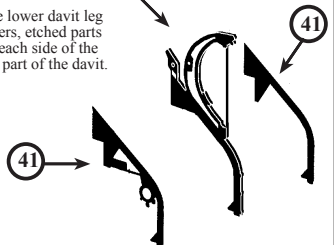


### Boat Davit Assembly



Fold the davits, etched parts 54, in half so that they are double thickness with the relief detail outermost.

Fit the lower davit leg doublers, etched parts 41 to each side of the lower part of the davit.

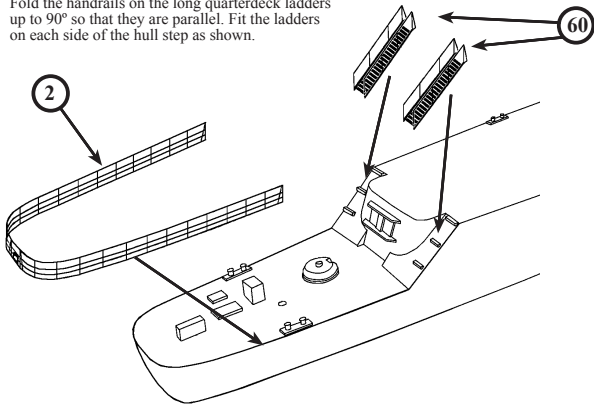


Make five pairs of these davits to replace kit parts 44,45,47,48,50,51,53,54,56 and 57.

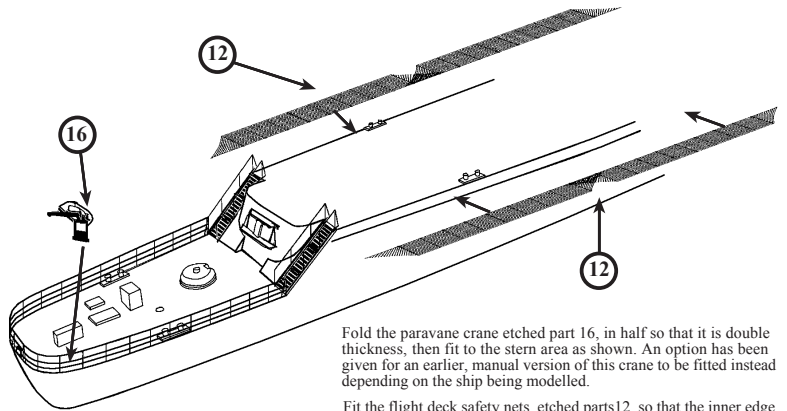


## Quarterdeck Railings and Flight Deck Safety Nets Location

Fold the handrails on the long quarterdeck ladders up to 90° so that they are parallel. Fit the ladders on each side of the hull step as shown.



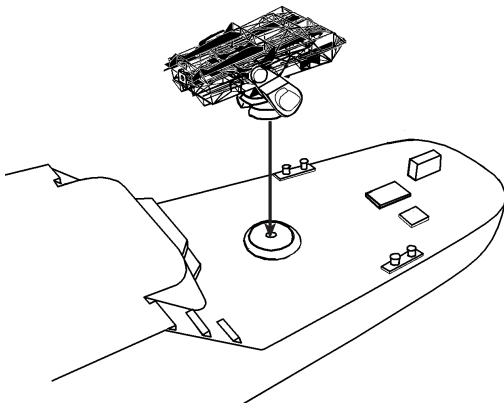
Shape and fit the quarterdeck railing, etched part 2, to the edges of the quarterdeck.



Fold the paravane crane etched part 16, in half so that it is double thickness, then fit to the stern area as shown. An option has been given for an earlier, manual version of this crane to be fitted instead depending on the ship being modelled.

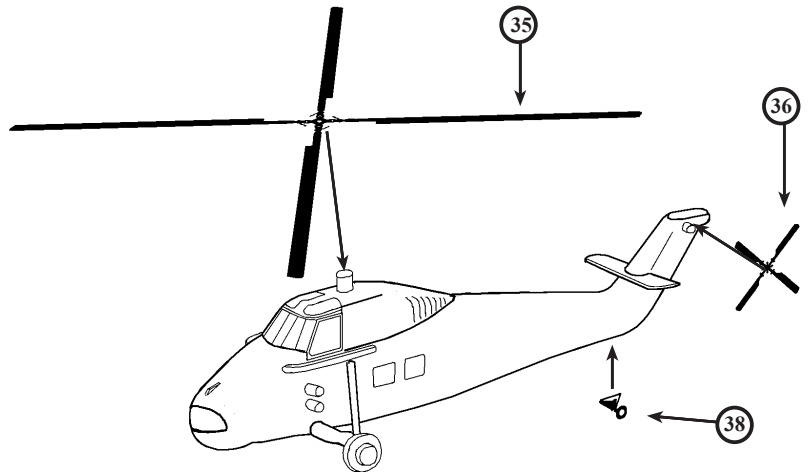
Fit the flight deck safety nets, etched parts 12, so that the inner edge is 3mm below the edge of the deck. These nets can be fitted in the raised or lowered positions in the location.

## Sea Slug Launcher Location



The completed Sea Slug launcher assembly is fitted to the locating point on the quarterdeck in place of kit parts 65 and 66. If it makes things easier, kit part 64, the mounting yolk, may be utilised instead of the etched mounting yolk, to fit the assembled launcher into.

## Wessex HAS 1 Helicopter Fittings



The Wessex HAS 1 fuselage supplied in the kit, as part 62, may be further enhanced by replacing kit parts 61 and 63 Main and Tail Rotors with etched parts 35 and 36. A replacement tail undercarriage unit, etched part 38 has also been supplied. For those who wish to add a bit of diversity, a folded main rotor, etched part 37, has been provided to fit in the place of etched part 35.

## Other Instructions

1. Stock lengths of railings, etched parts 1, have been supplied to cater for those who wish to embark on a major kit bash and correct the errors that have occurred in this early representation of the Devonshire. The lengths of railing also serve the fittings that are required along the sides of the main deck from B gun position to the Sea Cat launchers.
2. Sufficient Anchor Chain, etched parts 65, has been supplied to allow not only the replacement of the chain on the focsle deck from the capstans to the hawse-pipes, but also to allow the modeller to stream anchor chain from the hawse-pipe to the surface of the water, when a diorama scene is being modelled.
3. Vertical Ladders for fitting to the masts and platforms can be cut to the required length from the stock supplied, etched parts 59.
4. The propellers supplied in the kit as parts 73 and 74 are incorrect in the number of blades. Etched parts 56 are the correct five bladed propellers needed if a full hulled model is being built. Cut the plastic blades from the hub and clean the circumference. Cut the hub in two at the point where the blades are to fit in and then refit the hub boss and shaft to the centre of the etched blades. The individual propeller blades may now be twisted to shape to form a screw.
5. For more information on the Devonshire and other ships of the class, go to: <http://countyclasdestroymers.co.uk/> This is an excellent website that is rich in photographic information that will help with building the model.
6. This detail set has been designed as a straight forward enhancement for the Airfix 1/600 scale kit as it comes in the box. The kit itself is of vintage moulding from 1963 and so is not of the same standard of kit found today. Needless to say there are inaccuracies in the kit, some serious, that will need to be addressed by the modeller if an in depth build is to be carried out. To this end the details in this set will be a welcome addition providing the parts required to finish the fine details that are so evident on this type of ship in the form of the bedstead radars and the huge Sea Slug missile launcher.